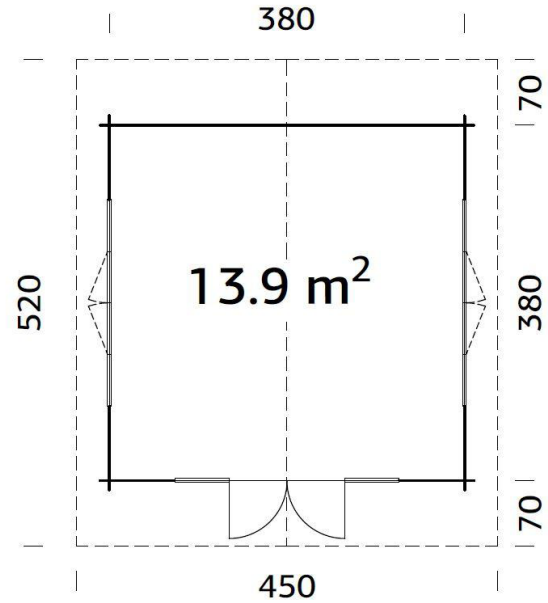


# Vermont



## FULL SPECIFICATION

	Wall Thickness	34mm		Roof Board	16mm
	Wall Measurements	380 x 380cm		Floor Boards	19mm
	Log Measurements	400 x 400cm		Type Door/Window	Garden
	Wall Height	205cm		Single Real Glass	
	Total Height	268cm		Door, Opening Measurements	114 x 186cm
	Area	13.9m <sup>2</sup>		Window, Opening Measurements	90 x 134cm
	Volume	32.9m <sup>3</sup>		Pack Size	6 x 1.2 x 0.7m
	Roof Overhang	70cm		Pack Weight	995kg
	Roof Area / Roof Gradient	24.4m <sup>2</sup> / 18.6°			

**FLEXIBLE FINANCE OPTIONS AVAILABLE**

