



























# Installation manual

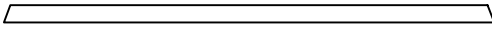
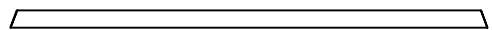
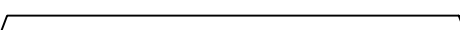

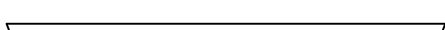


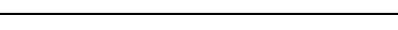
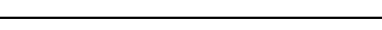
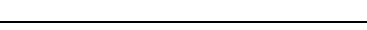


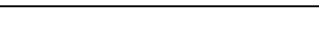
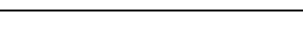
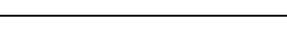
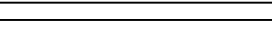
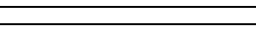


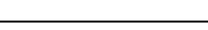




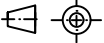
## Pavilion VIRGINIA 2

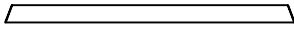
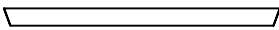
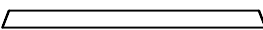
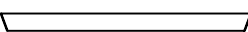
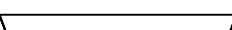
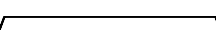
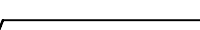








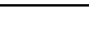
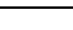

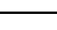
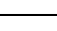
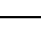
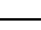
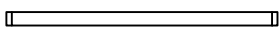
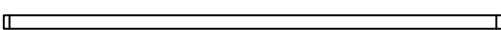
Diameter Ø 467 cm

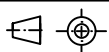


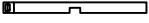
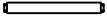
The producer shall have the right to make technical changes to the product • Technische Änderungen vorbehalten • Le producteur réserve le droit d'effectuer des modifications techniques au produit • Il produttore mantiene il diritto di apportare modifiche tecniche al prodotto • Reservado el derecho a modificaciones técnicas • Valmistaja pidättää oikeuden tehdä tuotteeseen teknisiä muutoksia • Tillverkaren har rätt att utföra tekniska förändringar för produkten

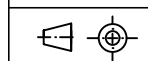
5		□	8	120 x 120	2100
6		▣	2	120 x 120	3669
7		▣	6	120 x 120	2169
8		▣	8	90 x 90	592
9		▣	8	90 x 90	592
10		▣	1	120 x 240	1999
11		▣	4	80 x 160	2968
12		▣	2	80 x 160	3165
13		▣	2	80 x 160	3110
14		▣	2	80 x 160	3110
15		▣	2	80 x 160	3165
16		▣	8	70 x 140	1909
17		▣	8	70 x 140	1909
18		□	2	70 x 70	445
19		▣	4	28 x 120	2831
20		▣	2	19 x 120	3780
21		▣	6	19 x 120	2280
22		•	8	32 x 32	220
201		▣	2	19 x 114	3756
202		▣	2	19 x 114	3670
203		▣	2	19 x 114	3585
204		▣	2	19 x 114	3499
205		▣	2	19 x 114	3414
206		▣	2	19 x 114	3328

















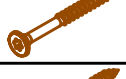













Pos	SPECIFICATION-STÜCKLISTE-NOMENCLATURE-ELEMENTI PAV-4762	Pcs	Profile (mm)	Length (mm)
207		2	19 x 114	3242
208		2	19 x 114	3157
209		2	19 x 114	3071
210		2	19 x 114	2986
211		2	19 x 114	2900
212		2	19 x 114	2814
213		2	19 x 114	2729
214		2	19 x 114	2643
215		2	19 x 114	2558
216		2	19 x 114	2472
217		2	19 x 114	2387
218		2	19 x 114	2301
219		2	19 x 114	2215
220		2	19 x 114	2130
221		2	19 x 114	2044
222		2	19 x 114	1959
223		2	19 x 114	1873
224		2	19 x 114	1787
225		2	19 x 114	1702
226		2	19 x 114	1616
227		6	19 x 114	2256
228		6	19 x 114	2170
229		6	19 x 114	2085
230		6	19 x 114	1999
 Object name PAV-4762				2/5

Pos	SPECIFICATION-STÜCKLISTE-NOMENCLATURE-ELEMENTI PAV-4762	Pcs	Profile (mm)	Length (mm)
231		6	19 x 114	1914
232		6	19 x 114	1828
233		6	19 x 114	1742
234		6	19 x 114	1657
235		6	19 x 114	1571
236		6	19 x 114	1486
237		6	19 x 114	1400
238		6	19 x 114	1314
239		6	19 x 114	1229
240		6	19 x 114	1143
241		6	19 x 114	1058
242		6	19 x 114	972
243		6	19 x 114	887
244		6	19 x 114	801
245		6	19 x 114	715
246		6	19 x 114	630
247		6	19 x 114	544
248		6	19 x 114	459
249		6	19 x 114	373
250		6	19 x 114	287
251		6	19 x 114	202
252		6	19 x 114	116
301		12	90 x 90	1794
302		2	90 x 90	3294

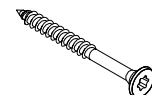
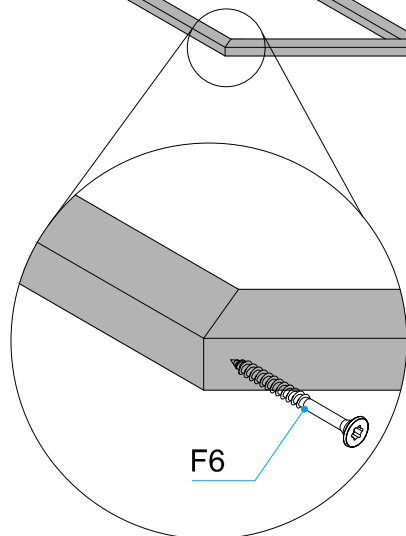
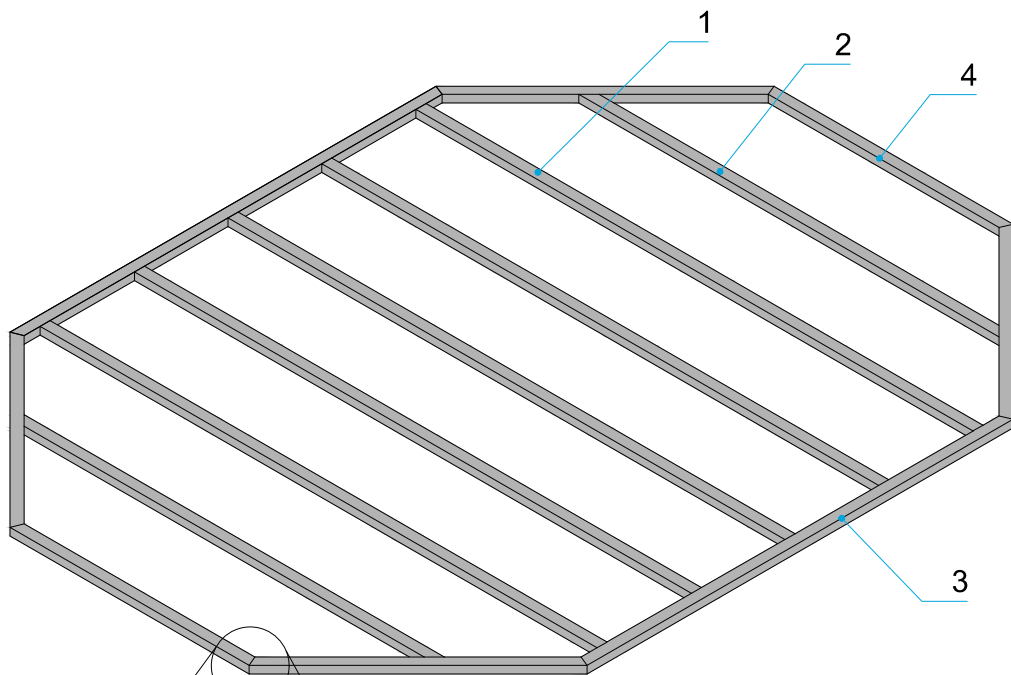
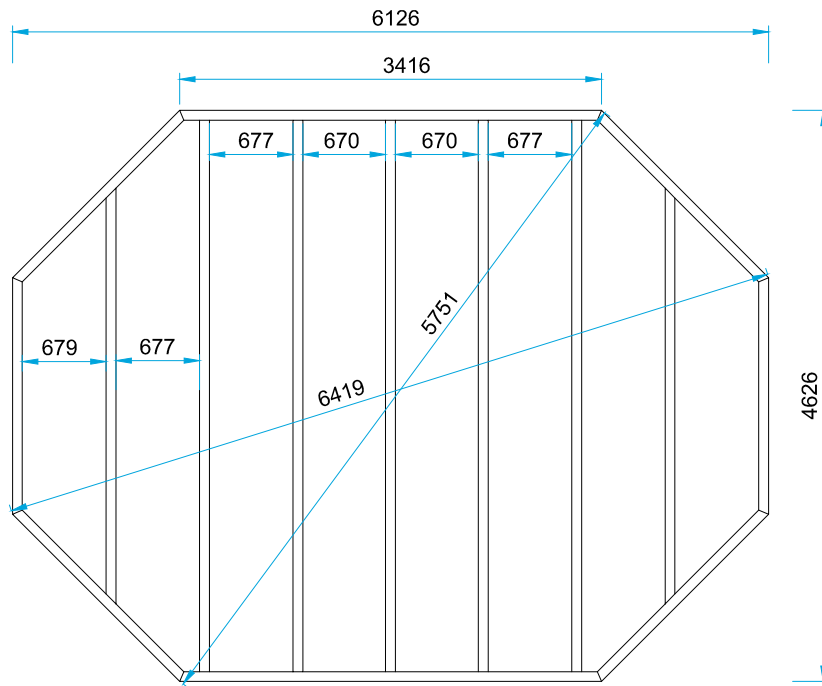


Pos	SPECIFICATION-STÜCKLISTE-NOMENCLATURE-ELEMENTI PAV-4762	Pcs	Profile (mm)	Length (mm)
303		30	70 x 70	947
304		10	70 x 70	660

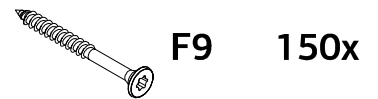
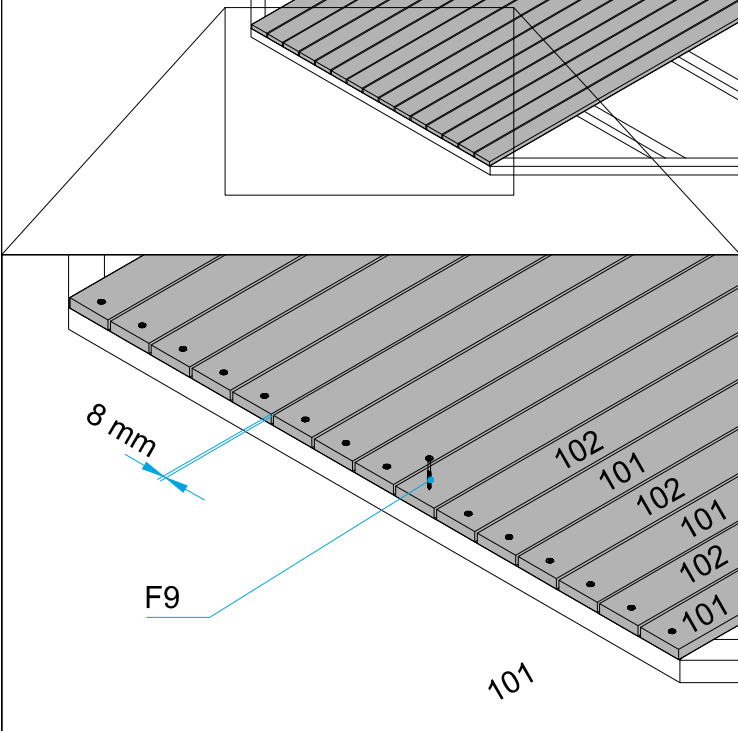
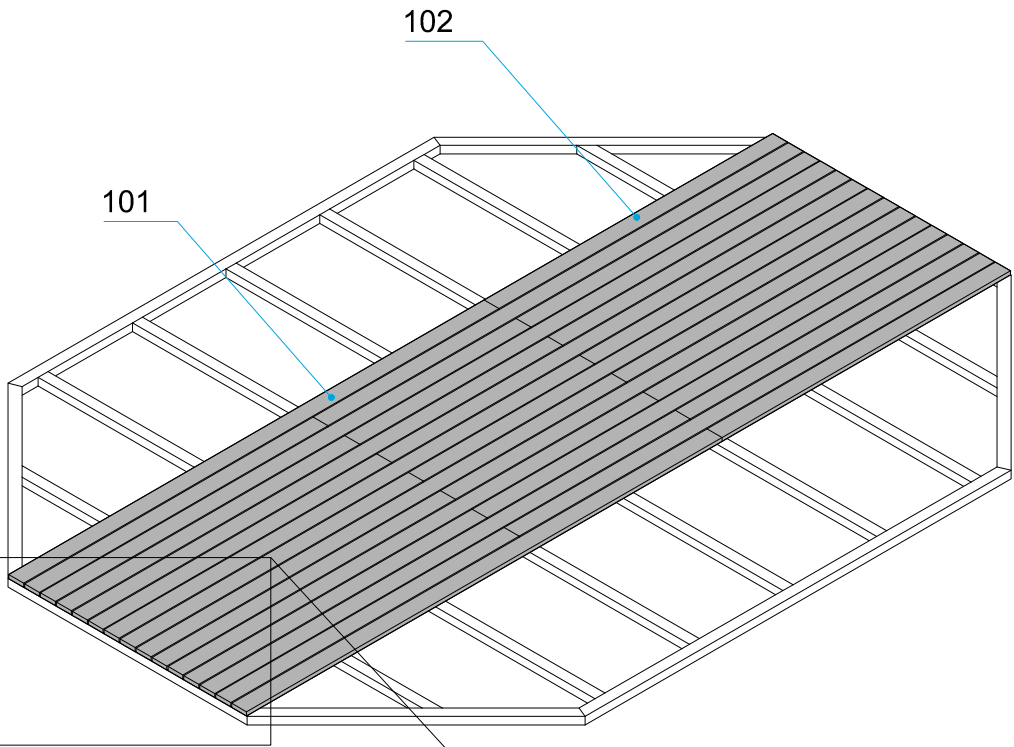


F1			8	QPostitugi12012060
F2			2	QKEL12X700
F3			8	QKSP010x60Zn
F4			4	QMU12
F5			8	QSE10x30
F6			4	QSE12
F7			28	QKR8x220Torx
F8			140	QKR6x120TXZN
F9			400	QKR4_2x65Torx
F10			60	QKR5x70TXZN
F11			112	QKR5x40TXZN
F12			750	QNA2_2x50Zn
F13			28	QNU202040
F14			4	Ø32x30_puit
F15			32	Qaugukate20mm

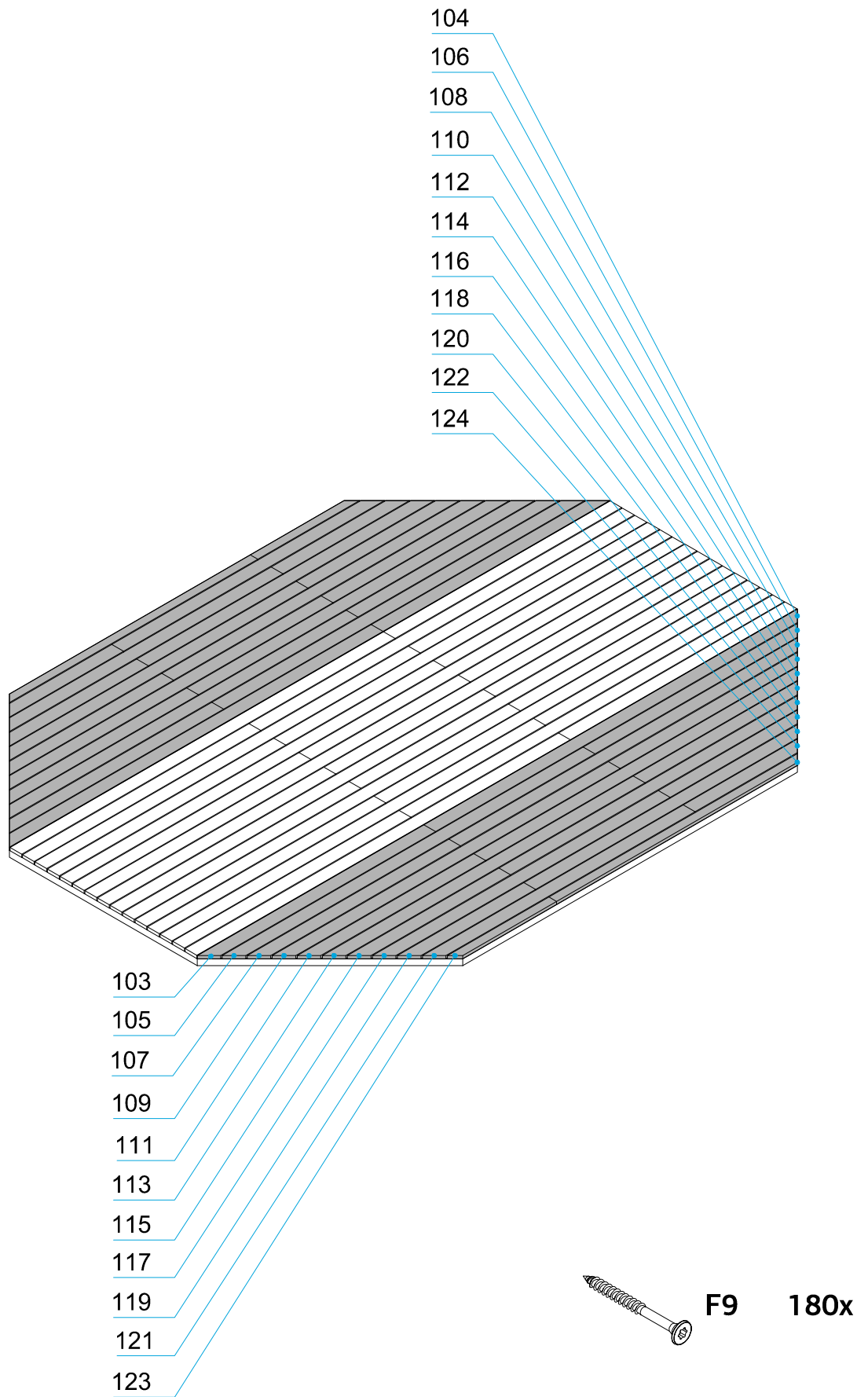
1

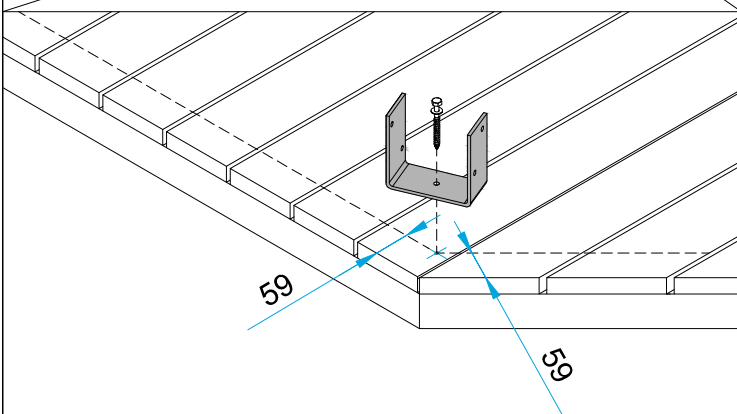
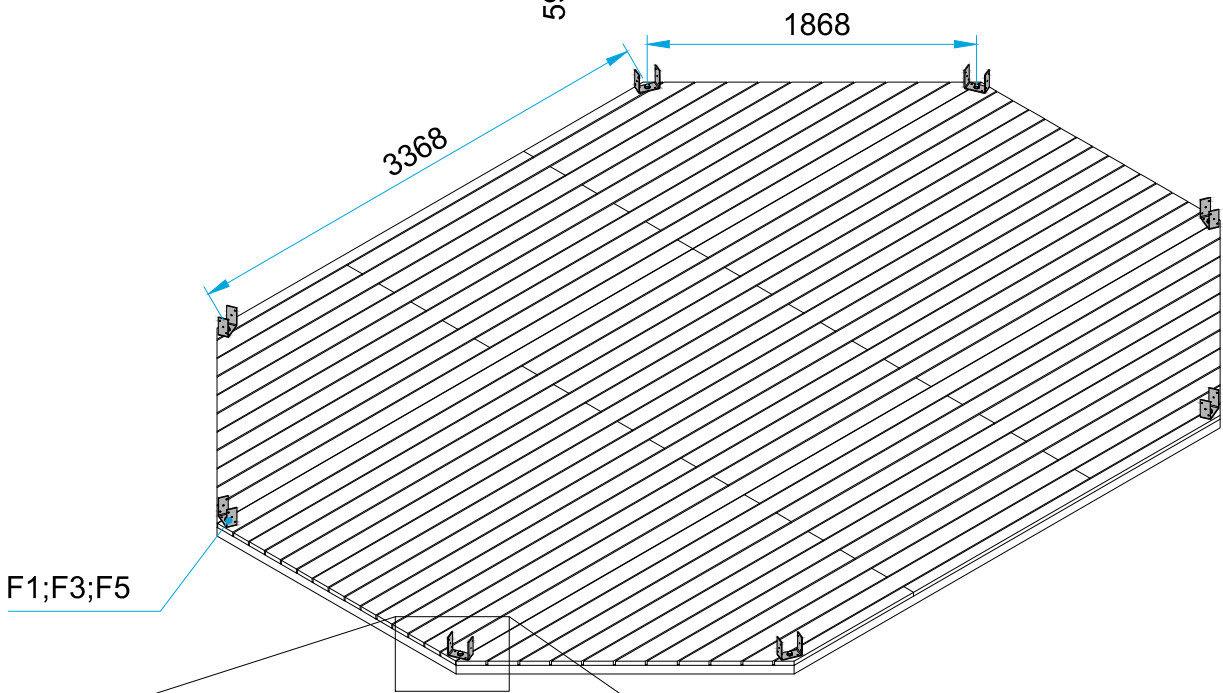
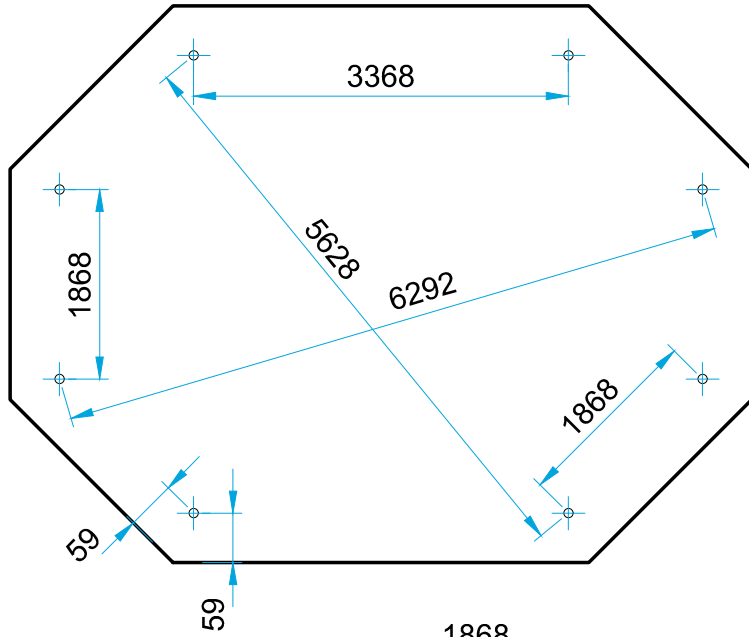


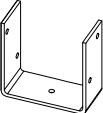
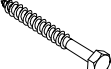

F8 22x

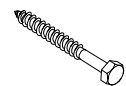
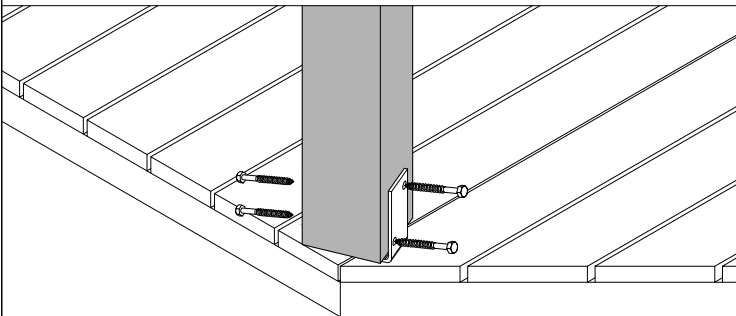
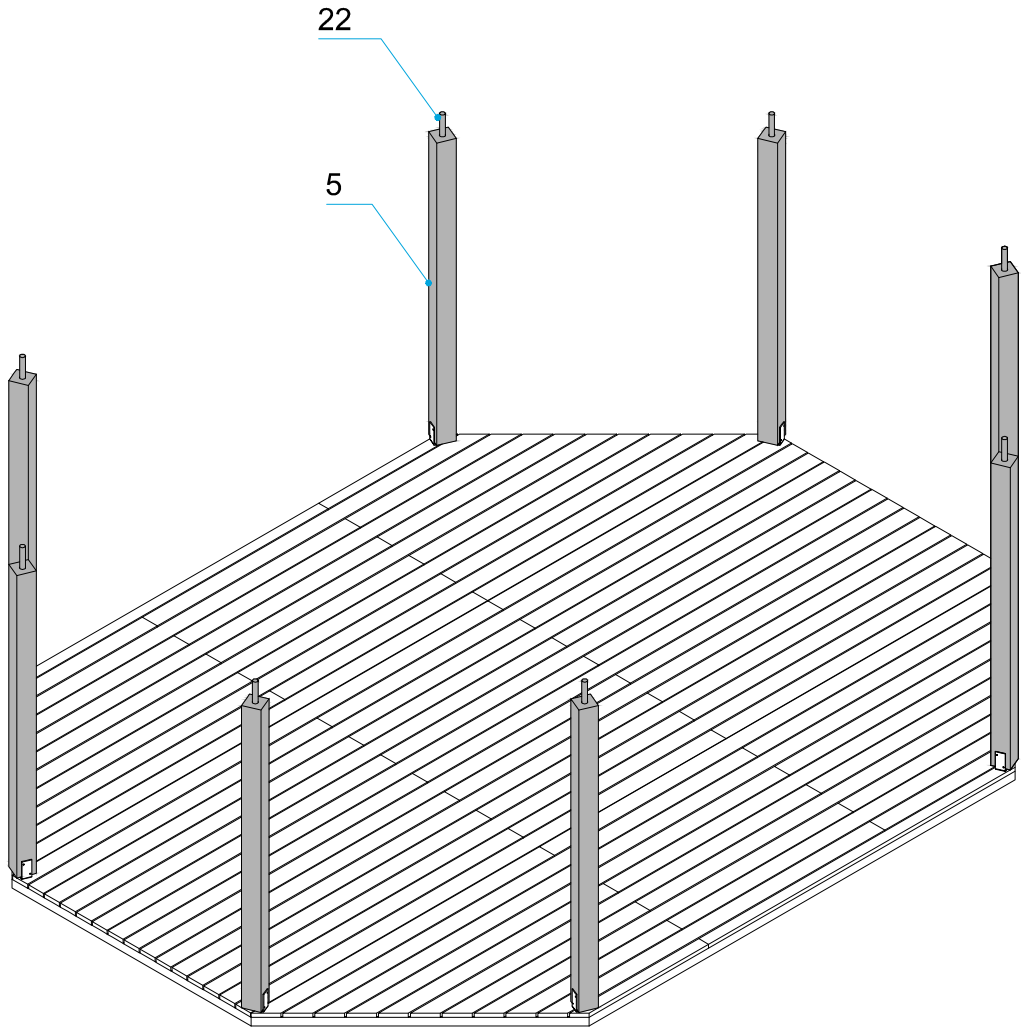




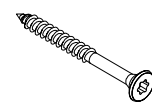
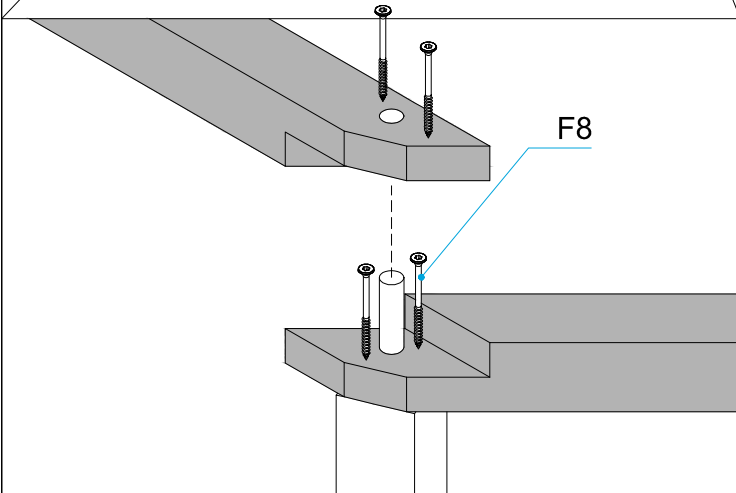
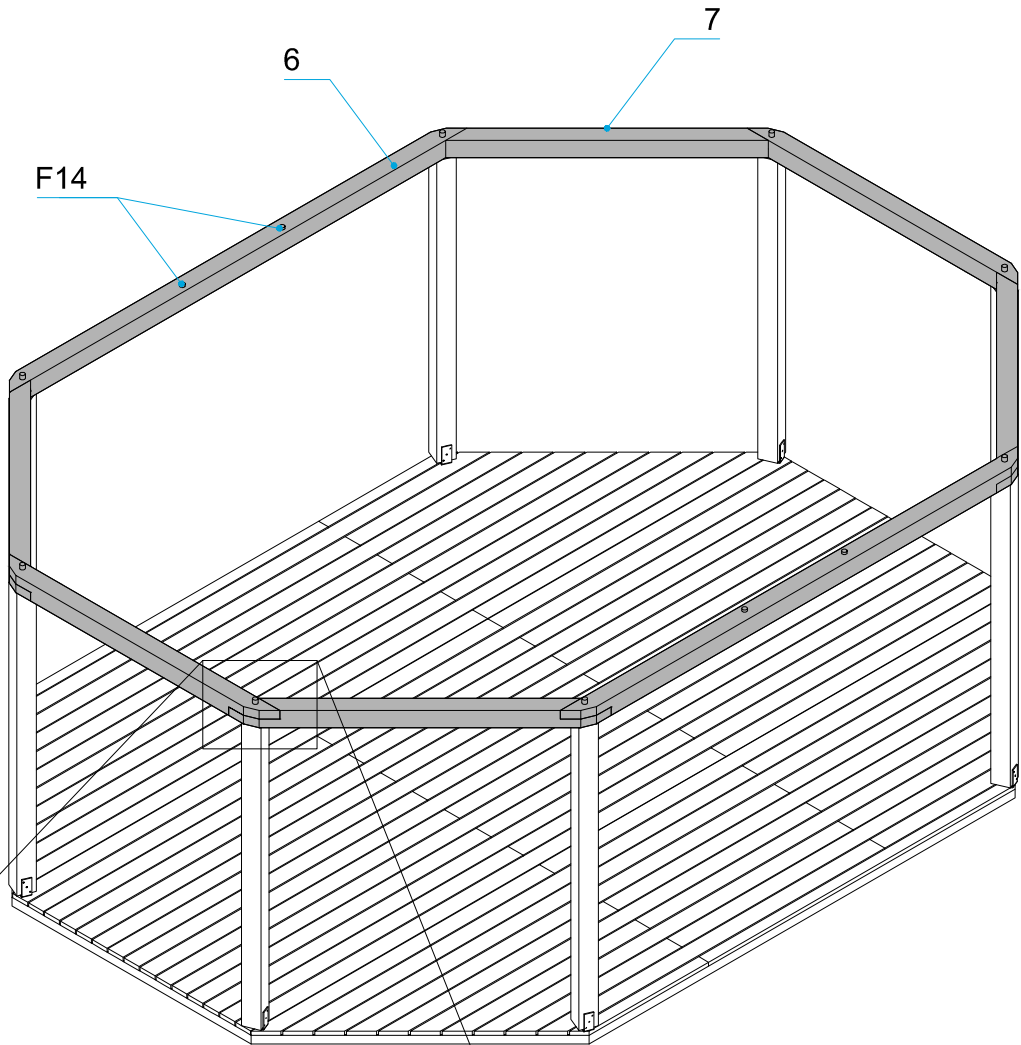




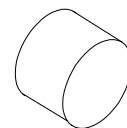
- |   |           |           |
|---|-----------|-----------|
|  | <b>F1</b> | <b>8x</b> |
|  | <b>F3</b> | <b>8x</b> |
|  | <b>F5</b> | <b>8x</b> |



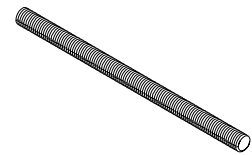
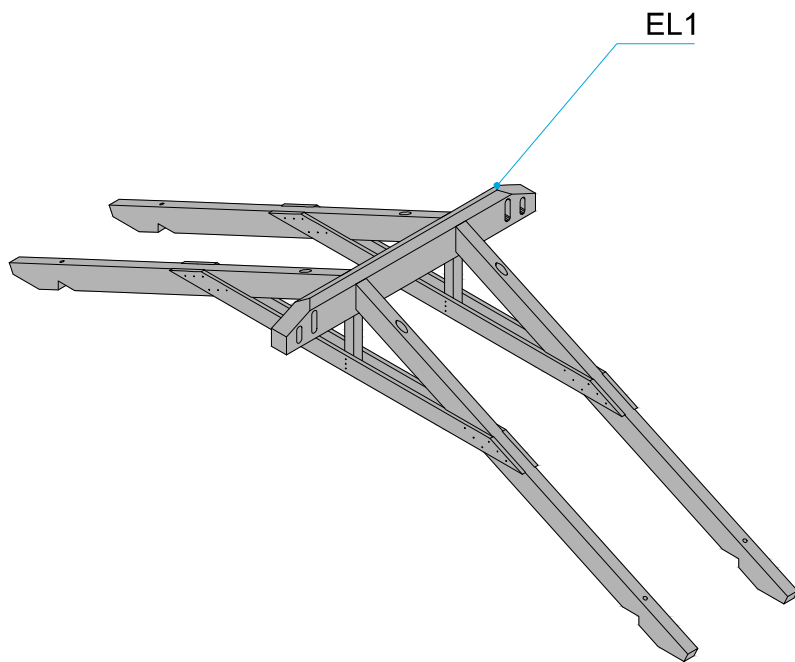
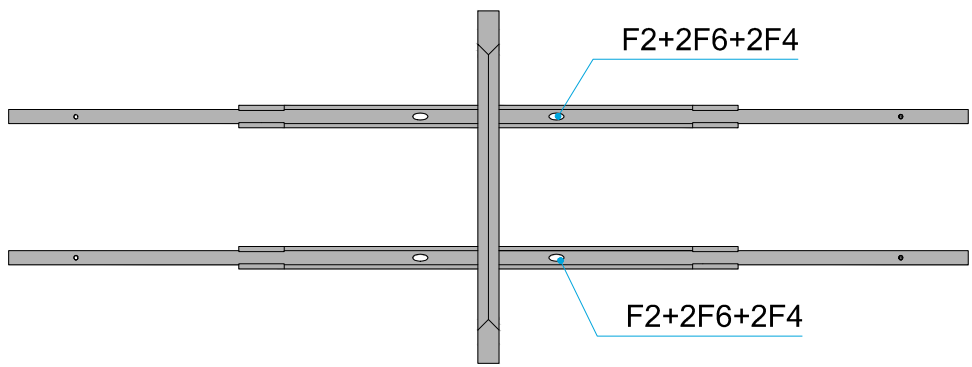
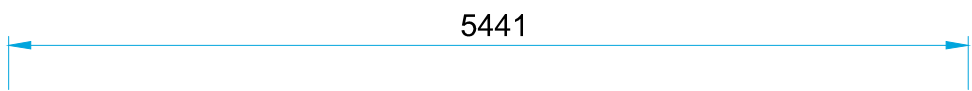
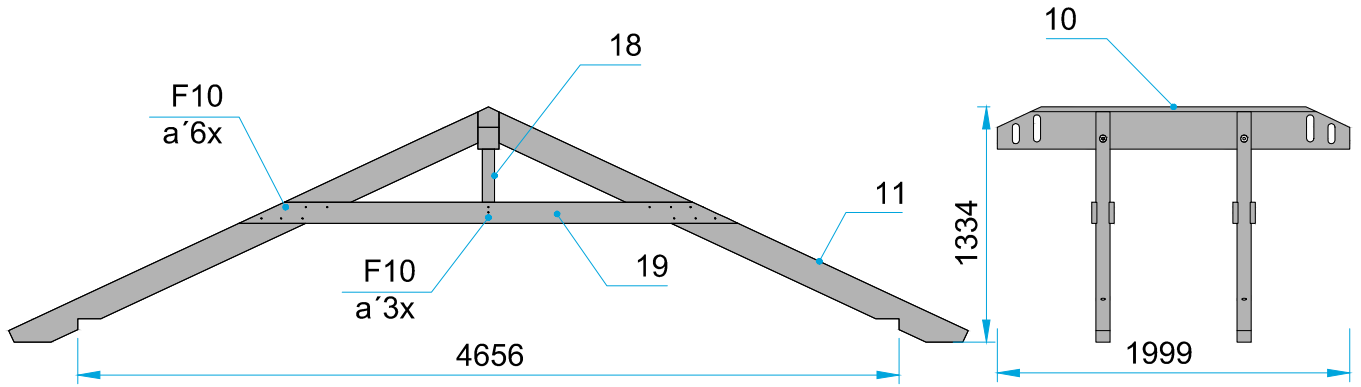
F3 32x



**F8 32x**



**F14 4x**



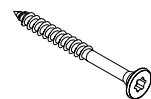
**F2 2x**



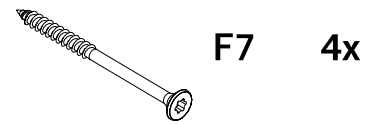
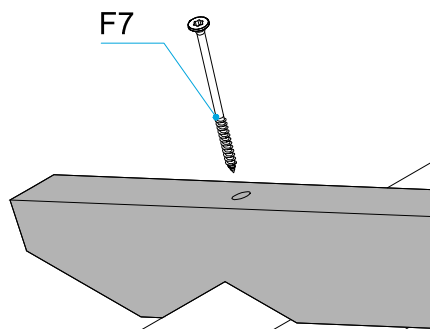
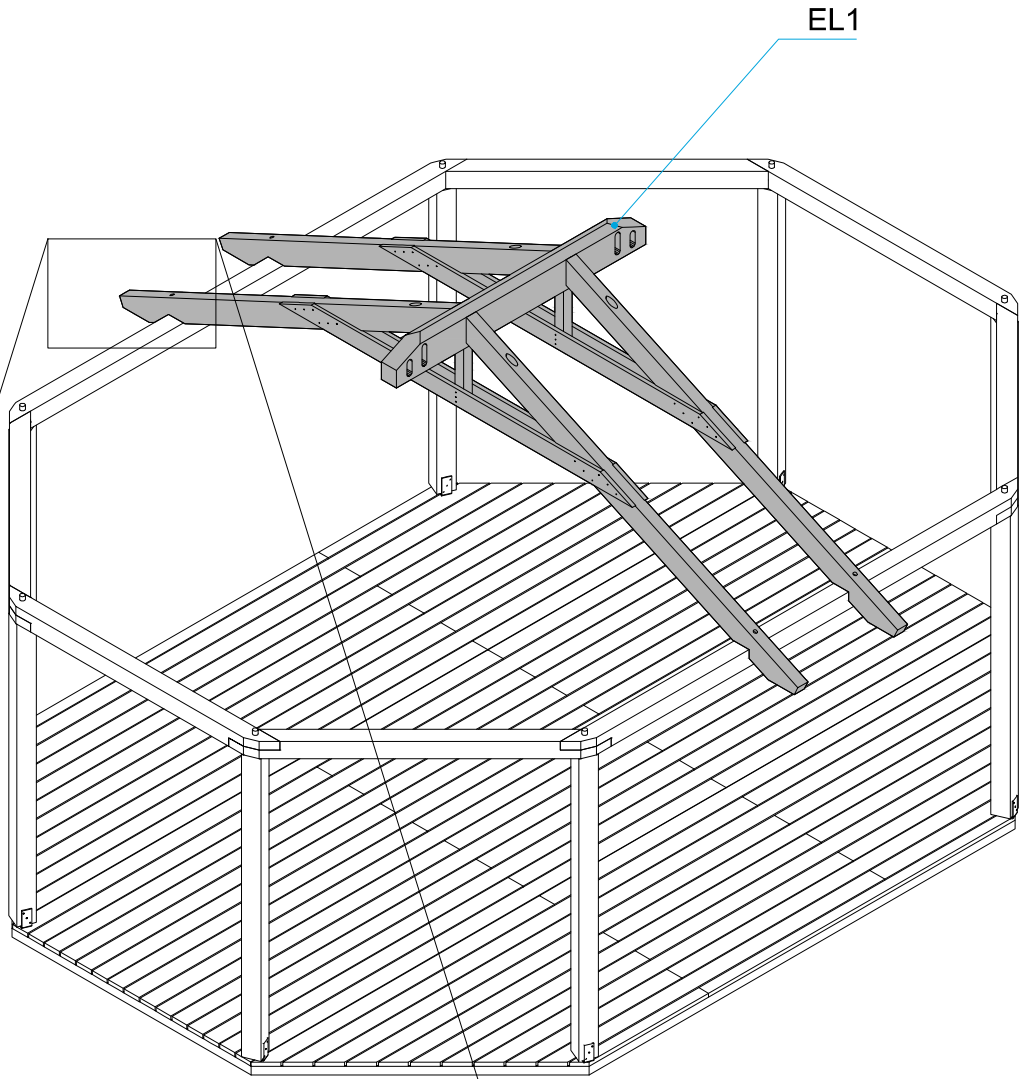
**F4 4x**

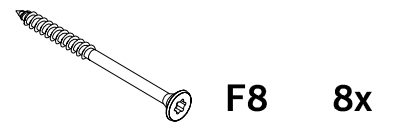
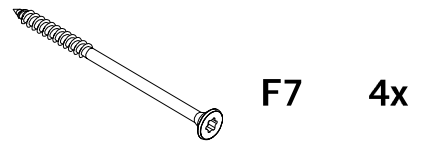
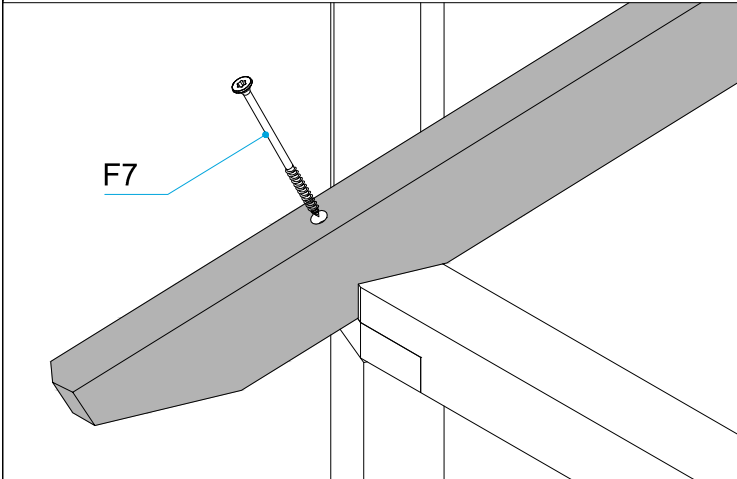
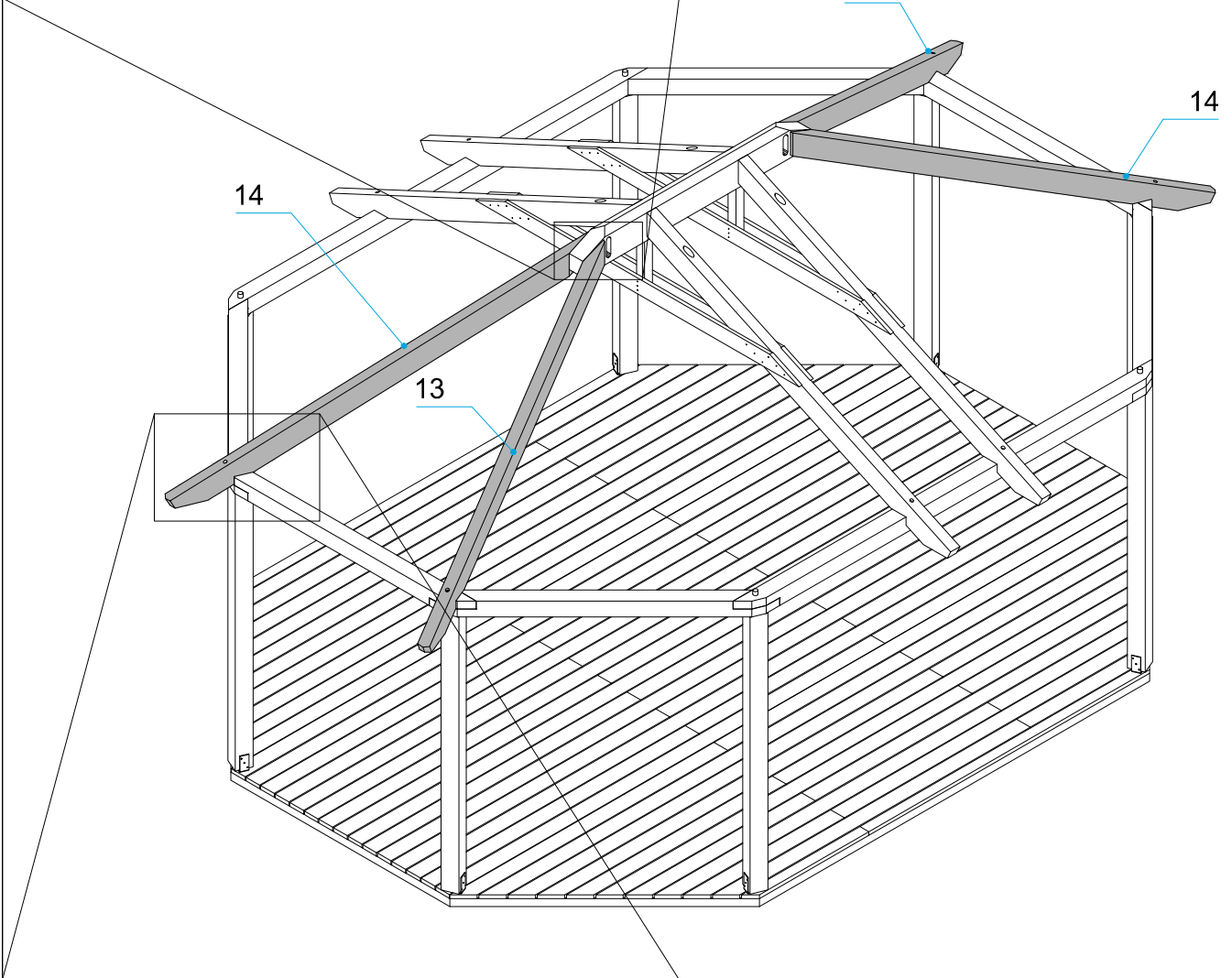
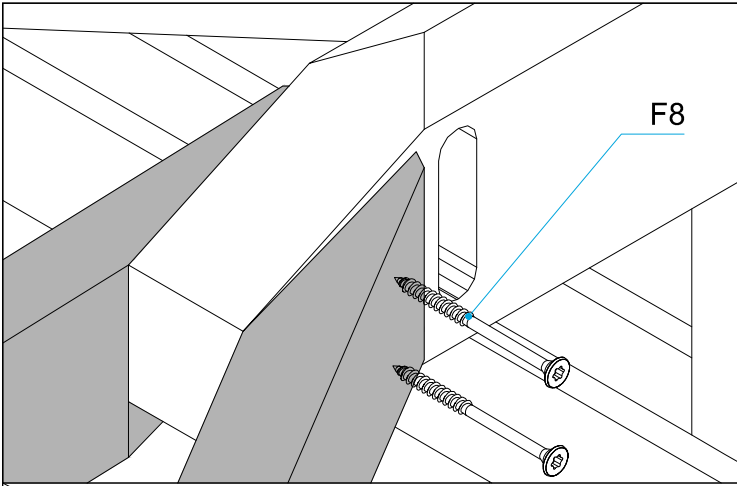


**F6 4x**

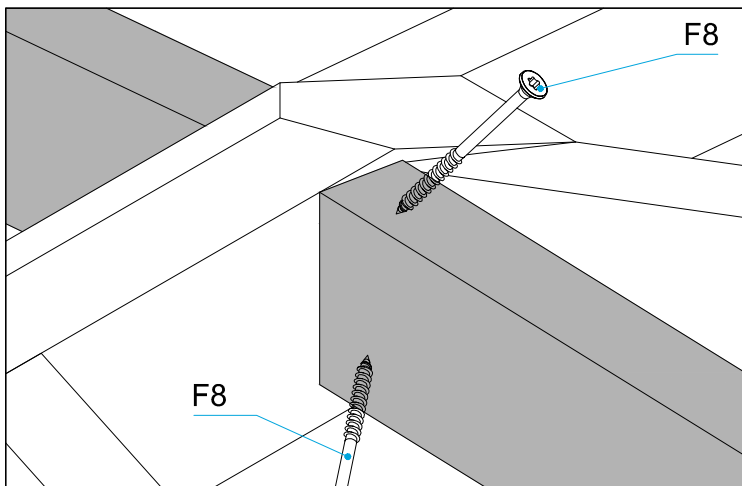


**F10 60x**



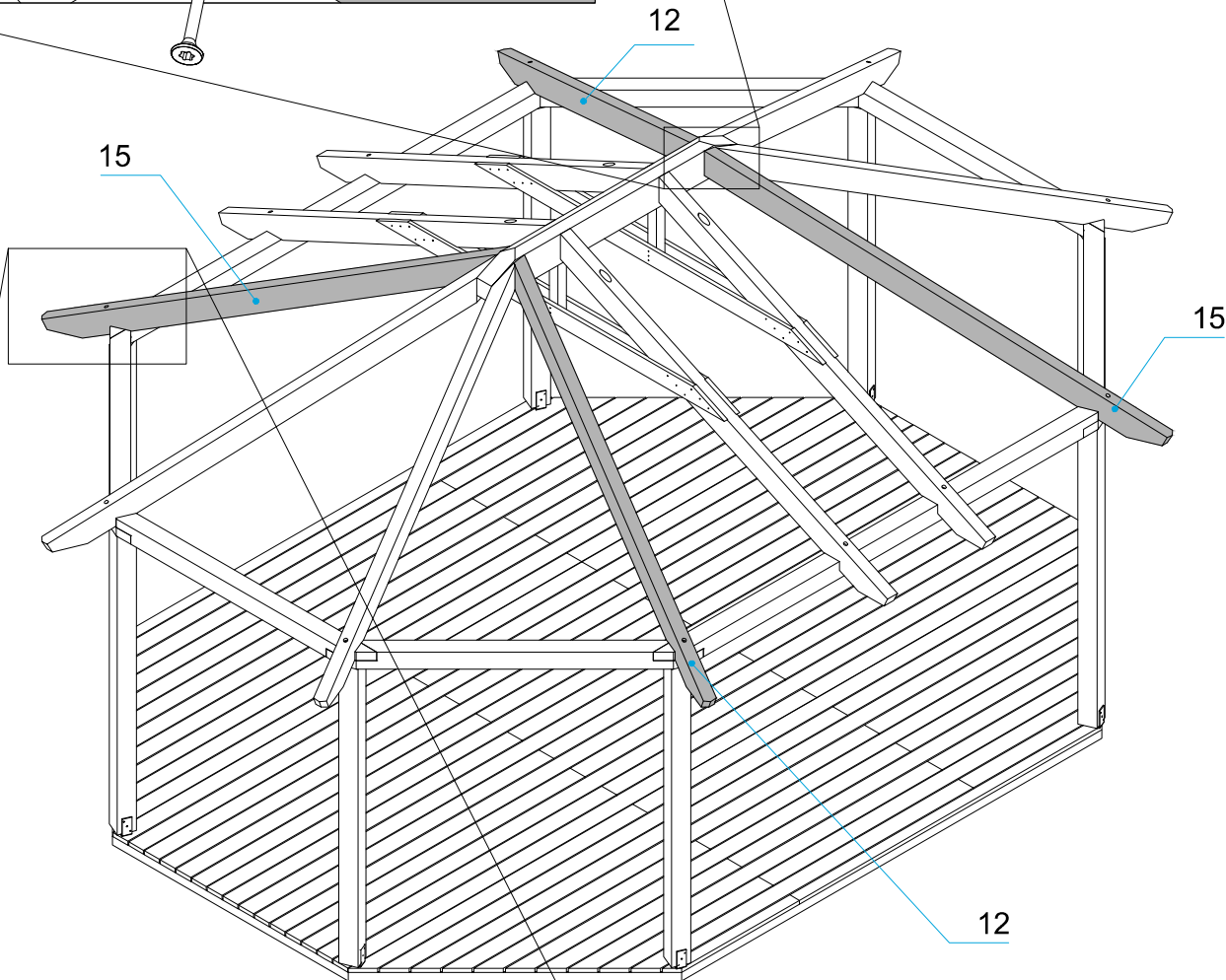


10



F8

F8

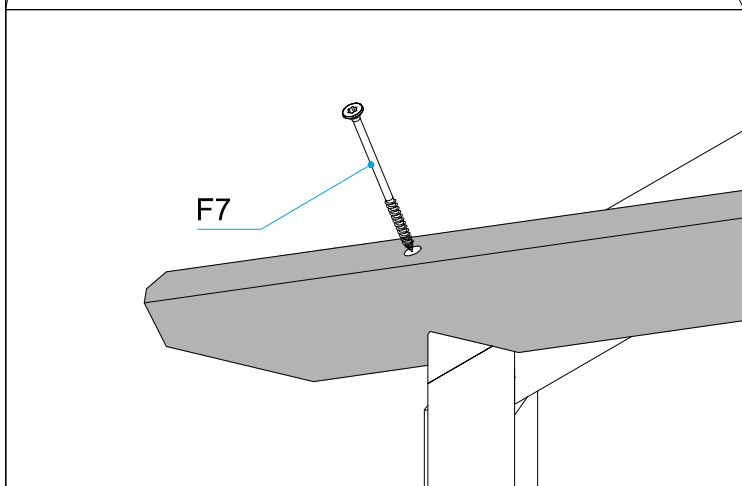


12

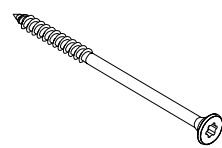
15

15

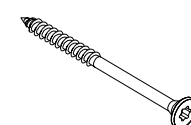
12



F7



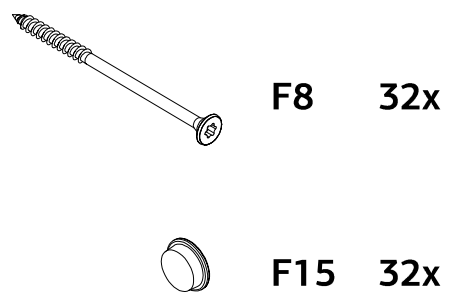
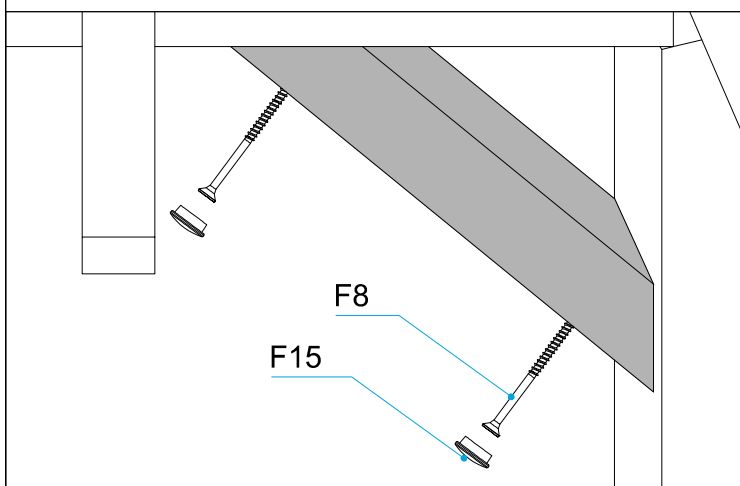
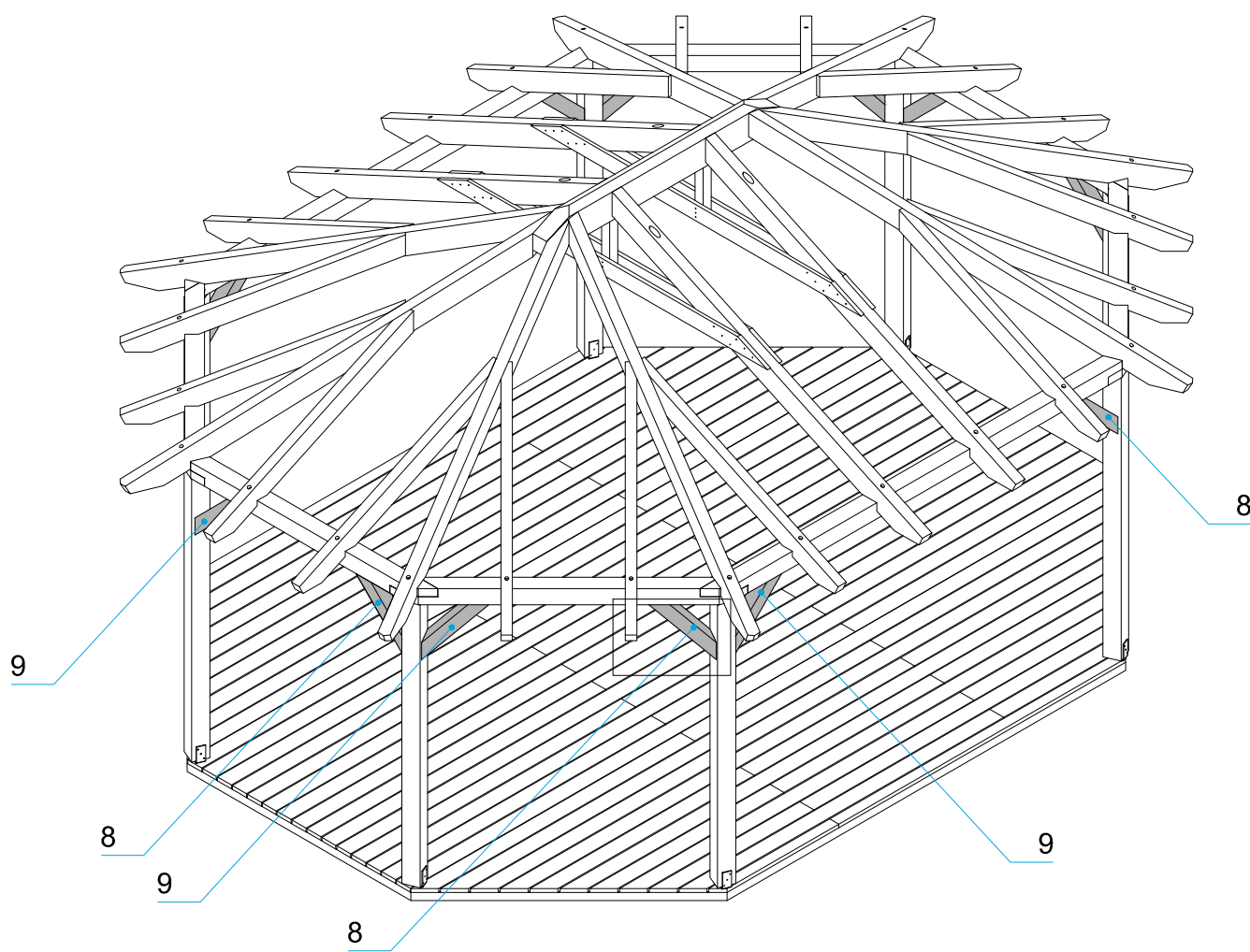
F7 4x

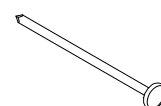
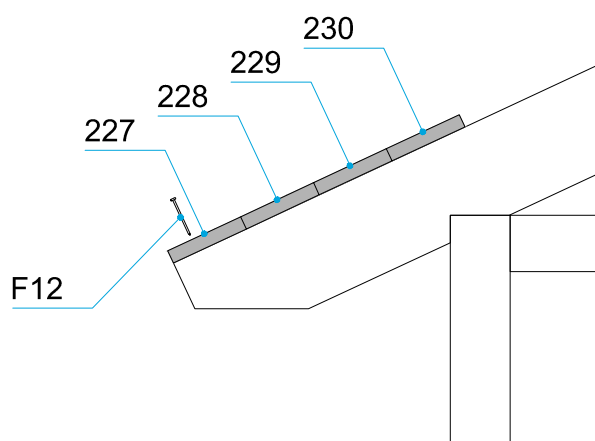
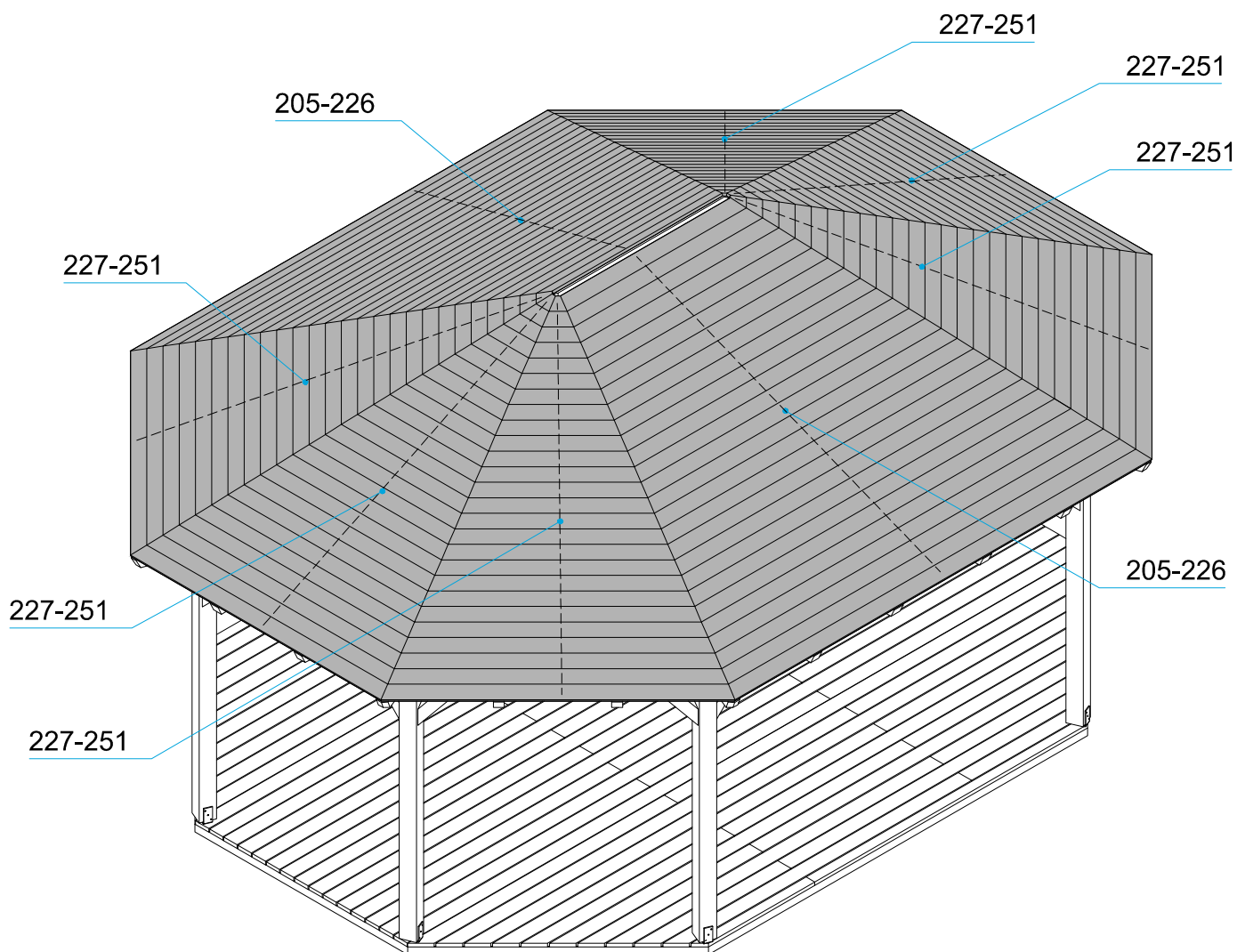


F8 8x

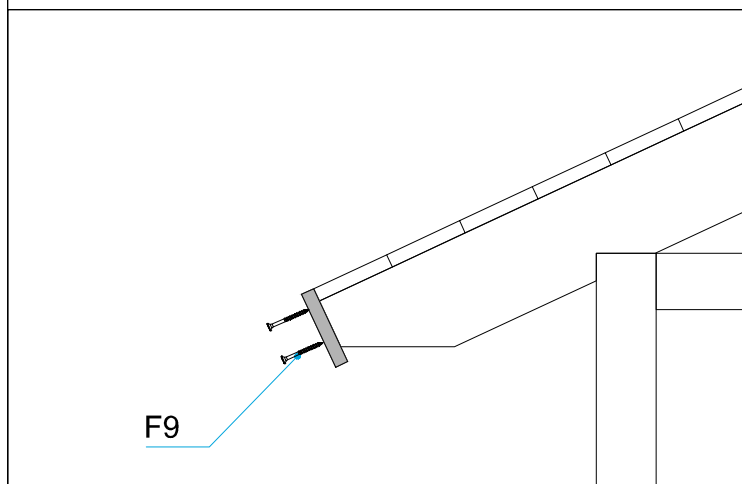
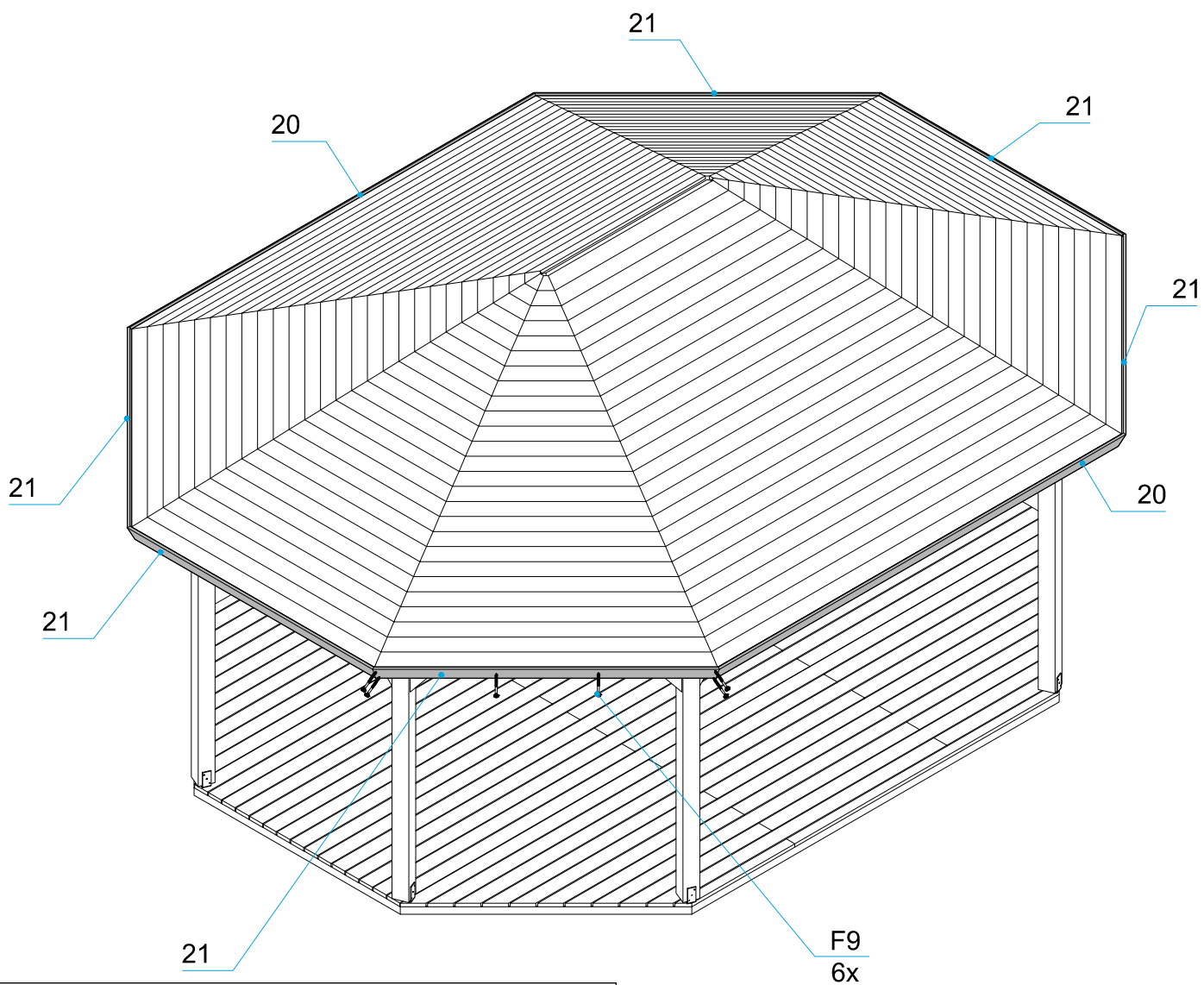


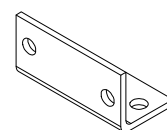
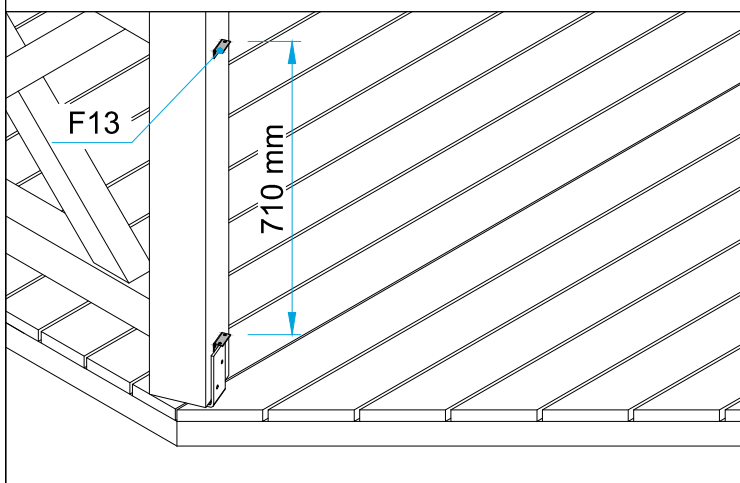
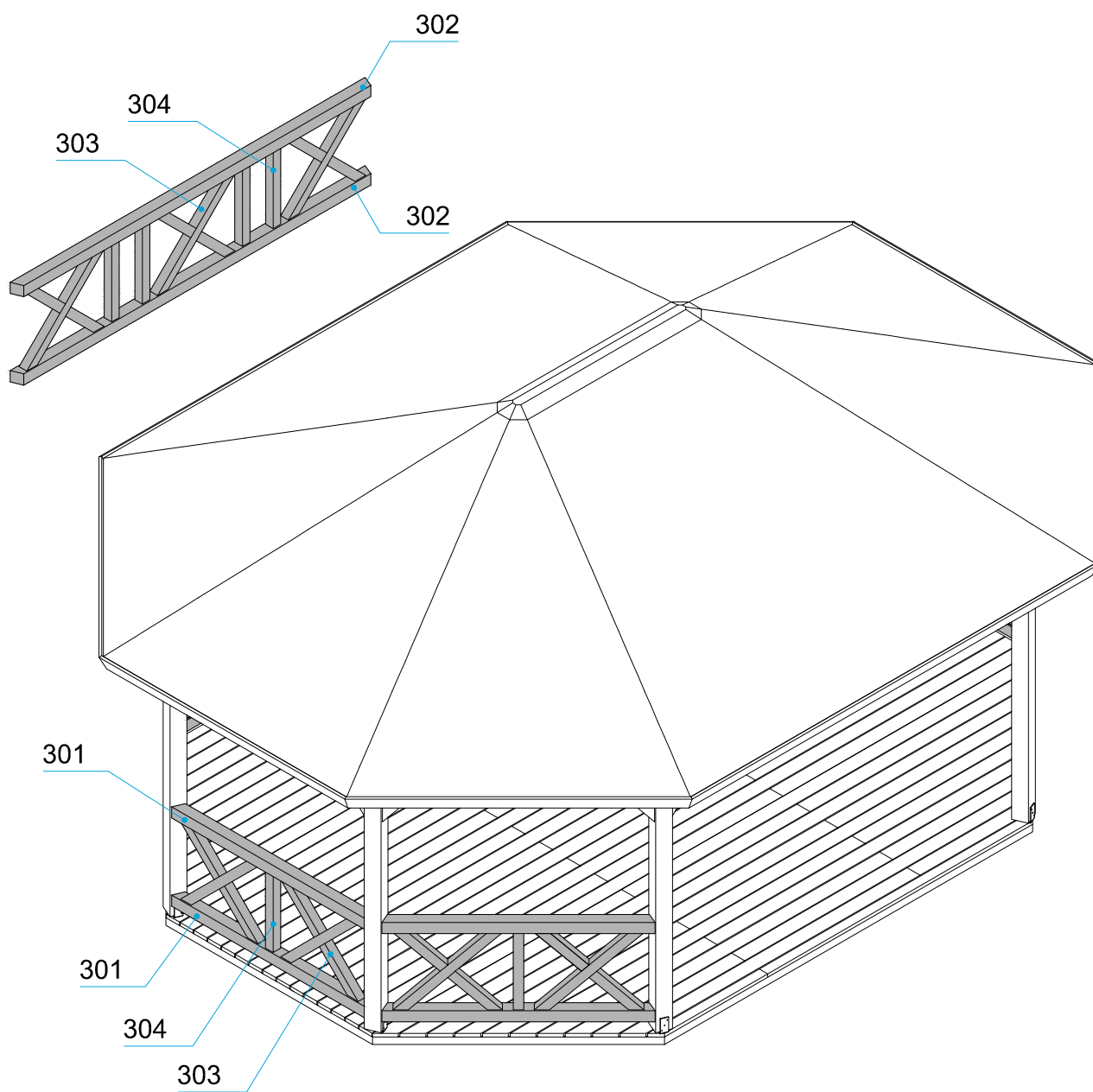




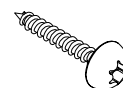


**F12 750x**





**F13 28x**



**F11 112x**

## 1 General information



**Dear client,**

We are glad that you have decided in favour of our garden house!

**Please read the assembly manual carefully before proceeding with the house installation!** You will thus avoid problems and will not waste time.

### **Recommendations:**

- Keep the house package until its complete assembly in a dry place, but not in direct contact with the ground, protected from weather conditions (moisture, the sun, etc.). Do not keep the house package in a heated room!
- When selecting the garden house location, make sure that the house will not be subjected to extreme weather conditions (areas of strong snowfall or winds); otherwise you should attach the house (for instance, with anchors) to the subsoil.



### **Warranty**

Your house is made from high quality fir and delivered in the natural (unprocessed) form. If, despite our thorough inspection, you should have complaints, please submit the filled out control sheet and purchase invoice to the product seller.

**ATTENTION: Please be sure to keep the documentation accompanying the house package! The control sheet includes the control number of the house. We can only review complaints if you submit the control number of the house to the seller!**

The warranty does not cover:

- Peculiarities of wood as a natural material
- Wooden details already painted (processed with a wood preservative)
- Wooden details containing whole branches that do not endanger the stability of the house
- Colour tone variations caused by wood structure differences that do not influence wood lifetime
- Wooden details containing (caused by drying) small cracks/gaps that do not pass through and do not influence the structure of the house
- Twisted wooden details if they can nevertheless be installed
- Roof and floor boards that may have on their concealed surfaces some non-planed areas, colour differences and waning
- Complaints resulting from an incompetent manner of the installation of the house or the house subsiding due to an incompetently made foundation
- Complaints caused by introducing self-initiative changes to the house, such as the deformation of wooden details and doors/windows due to an incompetent manner of wood processing; the attachment of storm braces too rigidly, doorframes being screwed onto wall logs, etc.

**The complaints covered by the warranty are satisfied to the extent of replacing the deficient/faulty material. All other demands will be excluded!**



## Garden house painting and maintenance

Wood is a natural material, growing and adapting depending on weather conditions. Large and small cracks, colour tone differences and changes, as well as a changing structure of wood are not errors, but a result of wood growing and a peculiarity of wood as a natural material.

Unprocessed wood (except for foundation joists) becomes greyish after having been left untouched for a while, and can be turn blue and become mouldy. To protect the wooden details of your garden house, you must immediately process them with a wood preservative.

We recommend that you cover the floor boards in advance with a colourless wood impregnation agent, especially the bottom sides of the boards, to which you will no longer have access when the house is assembled. Only this will prevent moisture penetration.

We definitely recommend that you also process the doors and windows with a wood impregnation agent, and do that namely both inside and outside! Otherwise the doors and windows can become twisted.

After the house assembly is completed, we recommend for the conclusive finishing a weather protection paint that will protect wood from moisture and UV radiation.

When painting, use high quality tools and paints, follow the paint application manual and manufacturer's safety and usage instructions. Never paint a surface in strong sunlight or rainy weather. Consult a specialist regarding paints suitable for unprocessed softwood and follow the paint manufacturer's instructions.

Having been properly painted, your garden house's lifetime will increase substantially. We recommend that you inspect the house thoroughly once every six months.

## 2 Preparation for assembly

### Tools and preparation of components

To assemble the garden house, you will need the following tools:



assembly aid



ladder



hammer



water-level



screwdriver



saw



knife



measuring tape



pliers



drill

**ADVICE:** To avoid splinters, we recommend that you wear the corresponding protective gloves during the assembly process.



**We wish you total success with the garden house installation and much joy with this house for many years to come!**